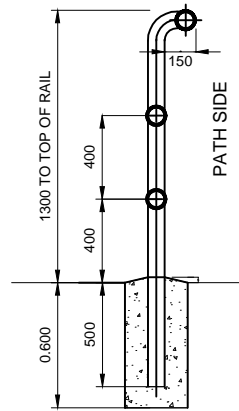
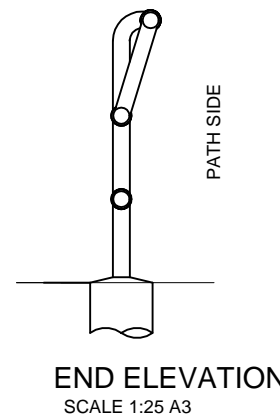


TYPICAL FENCING FITTING & END DETAIL ELEVATION
SCALE 1:25 A3



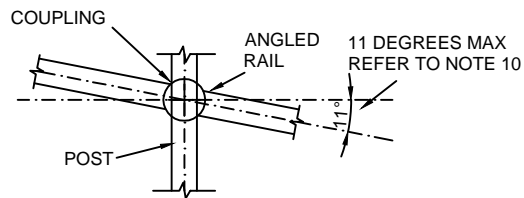
SECTION A
SCALE 1:25 A3



END ELEVATION
SCALE 1:25 A3

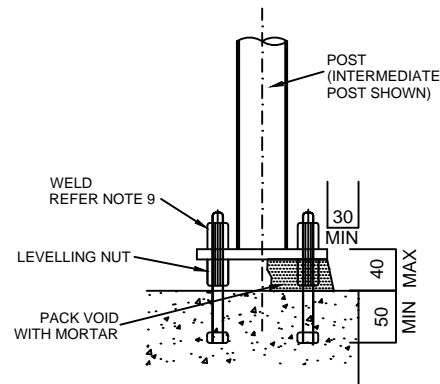
NOTES:

1. WHERE STANDARD IS FOR USE IN A NON-MARINE ENVIRONMENT (UP TO 1KM FROM THE FORESHORE), THE FOLLOWING TREATMENT IS REQUIRED.
- HOT DIP GALVANISING: FERROUS OPEN SECTIONS TO AS4791,
- FERROUS HOLLOW SECTIONS TO AS4792
- STEEL WORKMAY BE POWDER COATED TO AS4506 TO MATCH COLOUR COORDINATION IN THE AREA.
2. PAINT SYSTEMS TO BE IN ACCORDANCE WITH AS2312 AND IS DESIGNATED HDG600P6 AND HDG600P.
3. END POSTS TO BE 50NB (60.3 OD, 3.6 THICK).
4. INTERMEDIATE POSTS TO BE 40NB (48.3 OD, 3.2 THICK) GALVANISED STEEL TUBE TO AS/NZS1163.
5. RAILS TO BE 40NB (48.3 OD, 3.2 THICK) GALVANISED STEEL TUBE TO AS/NZS1163.
6. ALL HORIZONTAL RAILS TO BE ROLLED TO MATCH SHAPE OF PATH IF RADIES IS LESS THAN 20m.
7. MINIMUM LENGTH OF RAILS TO BE 2 SPANS LONG TO MINIMISE NEED FOR JOINTS AT EVERY POST.
8. ALL WELDS TO BE 5 THICK C.F.W (CONTINUOUS FILLET WELDS) TO AS1554.1 WITH COLD GALVANISING TREATMENT TO COMPLETED WELDS, EXCEPT FOR POST/NASE PLATE WHICH SHALL BE HOT-DIP GALVANISED. GALVANISING TO AS/NZS4680.
9. PREFERRED COLD GALVANISING TREATMENT FOR IN-SITU WELDS, CUT ENDS OR OTHER BARE STEEL IS TO APPLY 2 COATS OF INORGANIC ZINC PRIMER APPLIED BY BRUSH.
10. STANDARD COUPLINGS (MONOWILLS, SENTOUR JOINTS, KEE KLAMP, SWAGED JOINTS OR SIMILAR) FOR POST TO RAIL CONNECTIONS MAY BE USED AS AN ALTERNATIVE TO WELDS. 11 DEGREE MAX DEFLECTION FROM HORIZONTAL FOR STANDARD COUPLINGS MAY BE USED UPON APPROVAL BY COUNCIL.
11. ALL CONCRETE TO BE GRADE 32 MPa
12. ANY GALVANISED TUBULAR HANDRAILS TO BE USED ONLY IN SITUATIONS OF LONGITUDINAL VEHICLE IMPACT SO AS TO NOT TO BE A POTENTIAL SPEARING HAZARD TO MOTORISTS.
13. THESE FENCES ARE INTENDED AS A PEDESTRIAN BARRIER AND ARE NOT TO BE USED IN SITUATIONS WHERE MOTOR VEHICLES REQUIRE RESTRAINT.
14. DIMENSIONS IN MILLEMETRES.

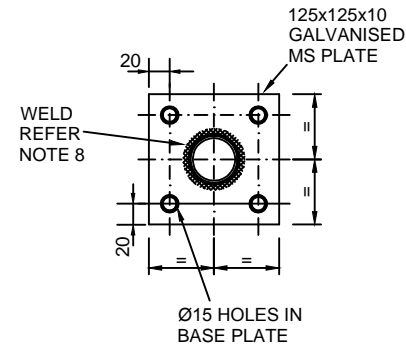


MAX DEFLECTION ANGLE FOR RAILS USING COUPLINGS

NOT TO SCALE




ELEVATION



PLAN

BASE PLATE DETAIL

SCALE 1:5 A3

 City of Whittlesea		
BICYCLE FRIENDLY HANDRAIL		SD 824
APPROVED:	DATE: 17/06/2014	REV: A