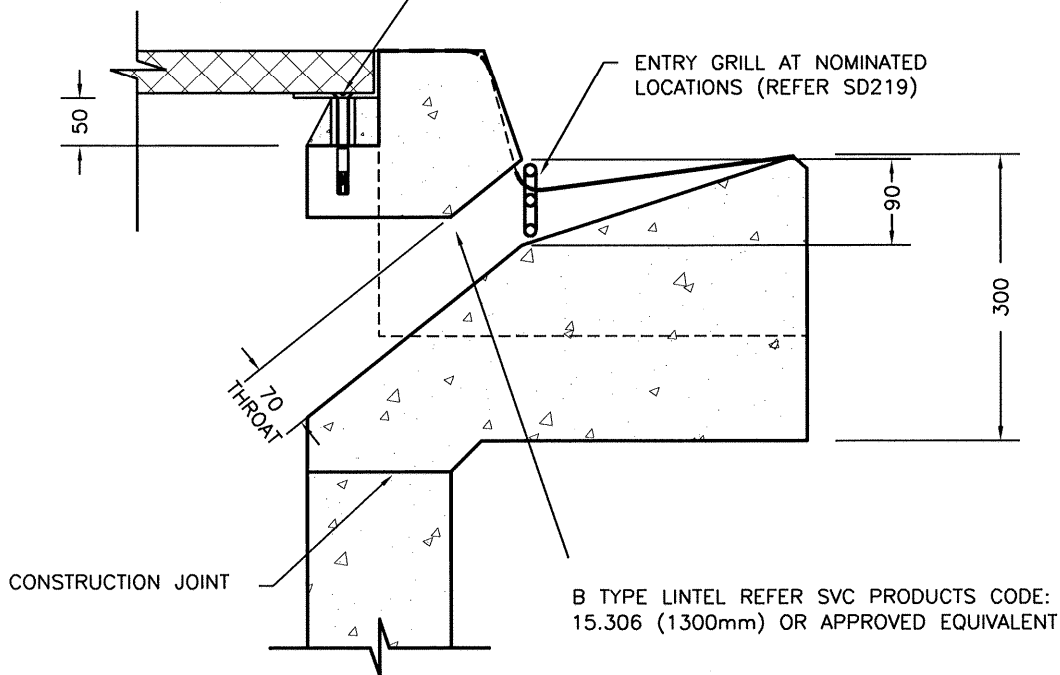



SM2 (MODIFIED) KERB & SM TYPE LINTEL

ATTACH FRAME WITH 10Ø 100mm LONG DYNABOLT THROUGH 25 X 25 X 50 LONG RHS SPACER GROUT BETWEEN FRAME AND LINTEL WITH GAP FOR LATCH



B2 BARRIER KERB & B TYPE LINTEL

Note:  
1. Kerb and channel to be shaped and jointed as shown on SD200 and SD201.

 <span style="font-size: 1.2em;">City of Whittlesea</span>		
SIDE ENTRY PIT ENTRY THROAT DETAILS		SD 202
APPROVED <i>A. Joelling</i>	DATE 01/08/2005	REV G