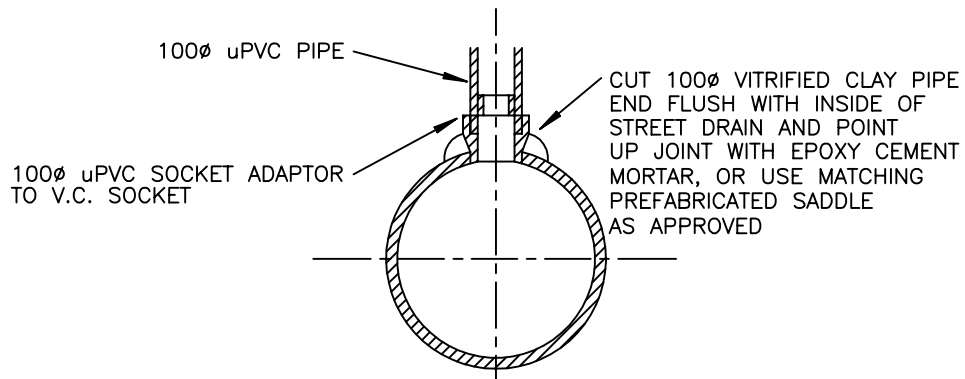


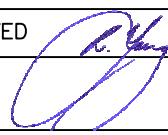
STANDARD No.27A CONNECTION



ALTERNATIVE CONNECTION  
(TO EXISTING DRAINS ONLY)

NOTES

ALL HOUSEDRAIN PIPES AND FITTINGS SHALL BE 100mm  $\phi$  uPVC, CLASS SH, WITH SOLVENT WELD JOINTING SYSTEM.

City of Whittlesea	
STORMWATER CONNECTION TO STREET DRAIN	SD 206
APPROVED 	REVISION DATE July 2001