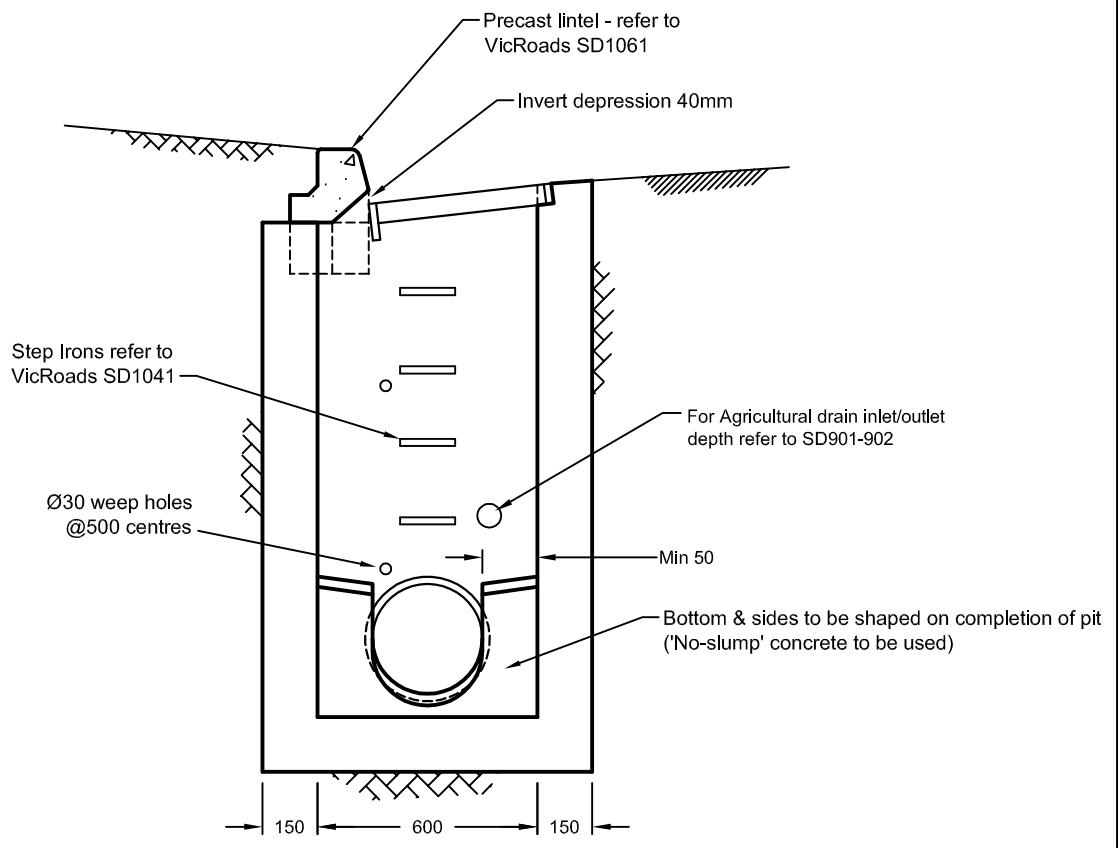



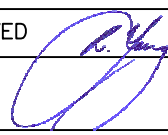
PLAN



SECTION A-A

NOTES

1. INSIDE DIMENSIONS OF GRATE ENTRY PIT 900 x 600 FOR PIPES NOT EXCEEDING Ø450
2. PIPE C-L D/2+150 BEHIND B.O.K.
3. PIT WALLS 150 THICK EXCEPT WHERE PITS GREATER THAN 1800 DEEP OR PIPE Ø EXCEEDS 450 THEN WALLS SHALL BE 200 THICK CONCRETE
4. PITS 900 DEEP & OVER TO HAVE STEP IRONS FITTED- REF. TO VICROADS SD1041
5. SUBJECT TO SUPERINTENDENTS APPROVAL PRECAST PITS MAY BE SUBSTITUTED.

 <span style="font-size: 1.2em;">City of Whittlesea</span>		
GRATED SIDE ENTRY PIT FOR BARRIER KERB & CHANNEL		SD 211
APPROVED 	REV. DATE 17/07/2003	REV B