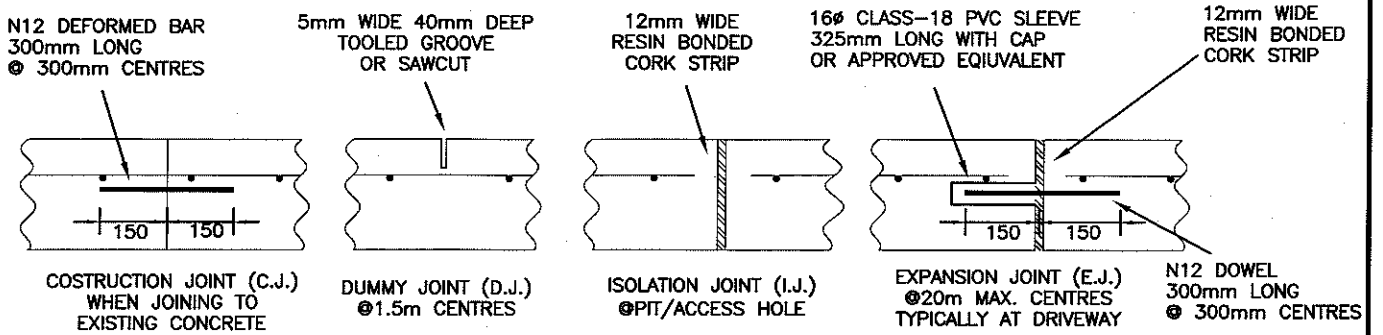
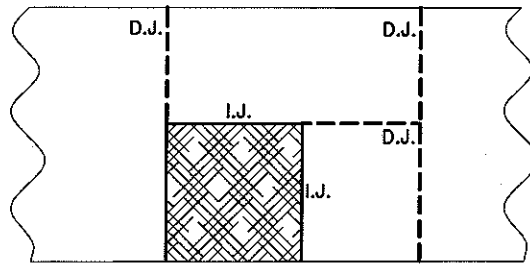


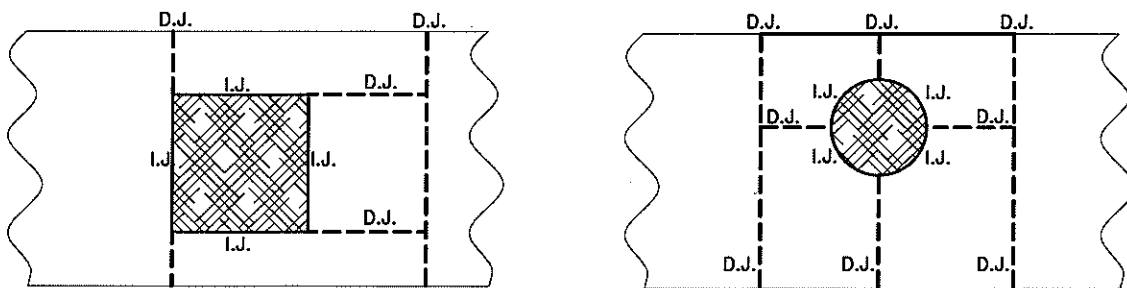
**FOOTPATH CROSS SECTION**



**JOINT DETAILS (LONGITUDINAL SECTION)**




**PIT/ACCESS HOLE AT EDGE (PLAN)**



**NOTES PIT/ACCESS HOLE NOT AT EDGE (PLAN)**

1. Subgrade and Base to be compacted as approved by the superintendent.
2. When placed by hand, all concrete shall be compacted with the aid of immersion vibrators or other vibrating equipment as approved by the superintendent.
3. Concrete shall be 25 MPa minimum.
4. Reinforcement Mesh is required be cut max 50mm from Isolation Joint (I.J.) or Expansion Joint (E.J.).
5. Refer City of Whittlesea Technical Specification for Roads and Drainage Works for joint spacing requirements.

 <b>City of Whittlesea</b>		
<b>FOOTPATH CROSS-SECTION JOINTS &amp; PITS/ACCESS HOLES</b>		<b>SD 309</b>
APPROVED <i>[Signature]</i>	DATE: 16/08/06	REV A