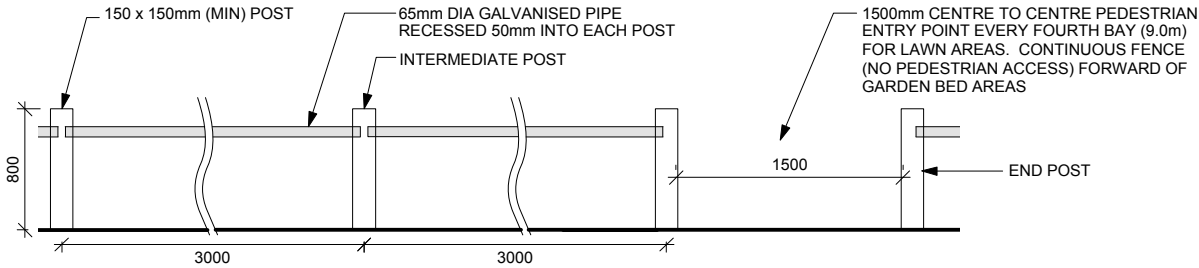
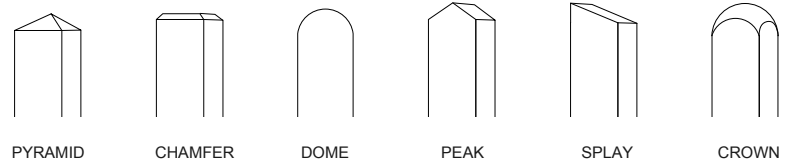
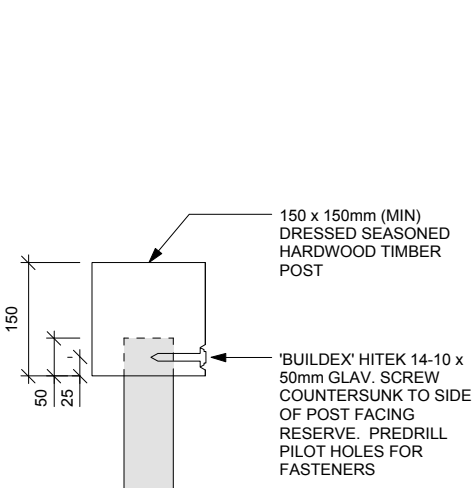


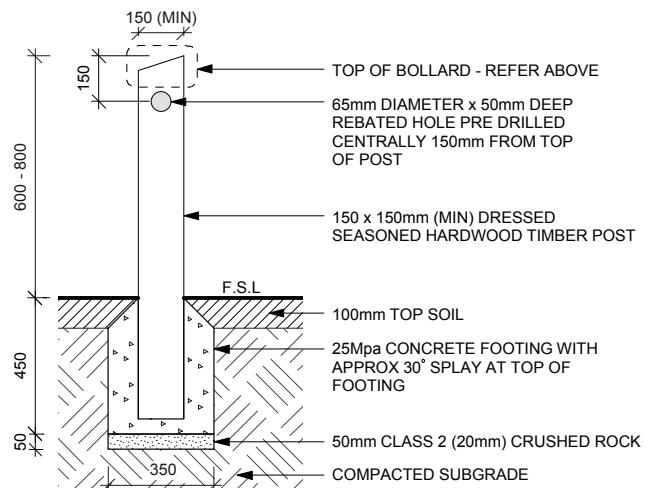
Timber Post and Tube Rail Fence



ELEVATION - TIMBER POST AND TUBE RAIL FENCE SPACING



PLAN - TIMBER POST AND TUBE RAIL FENCE



SECTION - TIMBER POST AND TUBE



NOTES:

1. As a minimum, posts should be 150mm X 150mm in width, (400mm below ground and 600 - 800mm above ground).
2. As a minimum, posts must be dressed seasoned hardwood with a Natural Durability Class of 2 or better. All timber must be straight, clean and free of defects.
3. Horizontal rails shall be 65mm (MIN) diameter galvanised pipe.
4. Concrete footings shall be nominally 350mm X 350mm in width and 500mm in height. Concrete footings must be 25-MPa as a minimum and include a gentle splay (MIN 30 degrees) away from the upright.
5. Footings for larger bollards to be reviewed on a case by case basis.
6. Bollards must be painted or stained with reapplication every 18 months or as required.
7. Maximum spacing between posts is 3000mm centre to centre.
8. All steel components (including fasteners, fixings and cables) shall be hot dip galvanised.

STANDARD DETAIL

PARKS & OPEN SPACE LANDSCAPE CONSTRUCTION DETAILS

Date: 3 November 2014
Revision: A

SDL.3.07