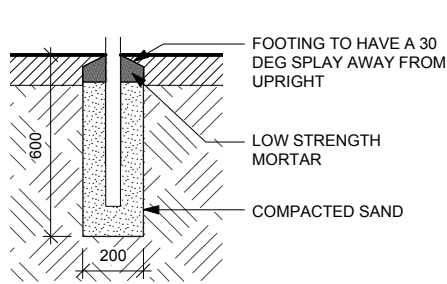
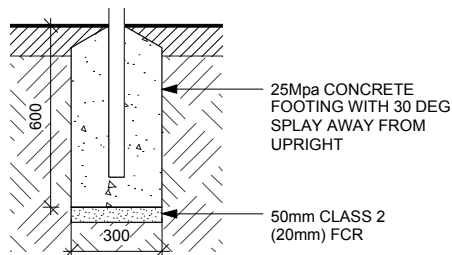


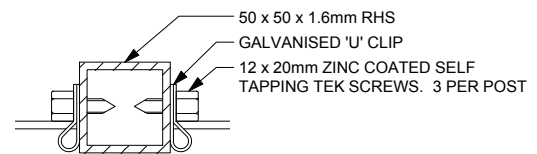
ELEVATION - WELDED MESH FENCE DETAIL



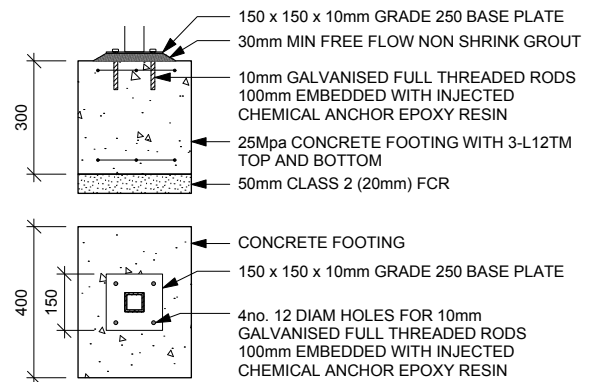
FOOTING SET IN SAND / SOIL



FOOTING SET IN CONCRETE



PLAN - METHOD OF FIXING MESH PANELS TO POST



CONCRETE FOOTING WITH BASE PLATE



NOTES:

As a minimum standard, welded mesh fencing within the road reserve shall:

1. Have a minimum height of 1.345m above ground level.
2. Comprise 5mm wire weld mesh panels 1.22m in height. The mesh shall be specified as 50mm X 150mm grid pattern and shall be hot dip galvanised or powder coated black. The mesh shall be installed 50mm above the existing ground level.
3. Comprise 50mm X 50mm X 1.6mm RHS posts 1.345m in height and spaced at 2.455m centres. The posts shall include a 150mm X 150mm X 10mm base plate. Posts and base plates shall be hot dipped galvanised and powder coated black. All posts shall include end caps and end posts shall include high visibility reflective tape installed 100mm from the top of the post. Note - post height will vary depending on the footing detail specified.
4. Comprise six (6) galvanised "U" clips per panel to attach the mesh to the upright posts. The clips shall be held in position via one (1) 12mm X 20mm zinc coated self-tapping TEK screw per clip. Drill holes in the upright to house the screws and in the base plate to house the bolt shall be pre-drilled prior to the post being hot dipped galvanised.
5. Comprise concrete footings nominally 300mm wide X 400mm long X 300mm deep installed on a 50mm bed of class 2 (20mm) crushed rock. Concrete shall be 25MPa minimum and include two (2) rows of 12mm diameter trench mesh. The base plate shall be connected to the footing via four (4) 10mm (commercial 4.6 grade) fully threaded bolts. The bolts shall be embedded a minimum depth of 100mm and the bolt holes filled with injection mortar (chemical anchor epoxy resin). For alternative footing details (direct buried and/or post set in compacted soil) refer to associated drawings.

## STANDARD DETAIL

PARKS & OPEN SPACE LANDSCAPE CONSTRUCTION DETAILS

Date: 3 November 2014  
Revision: A

SDL.3.17