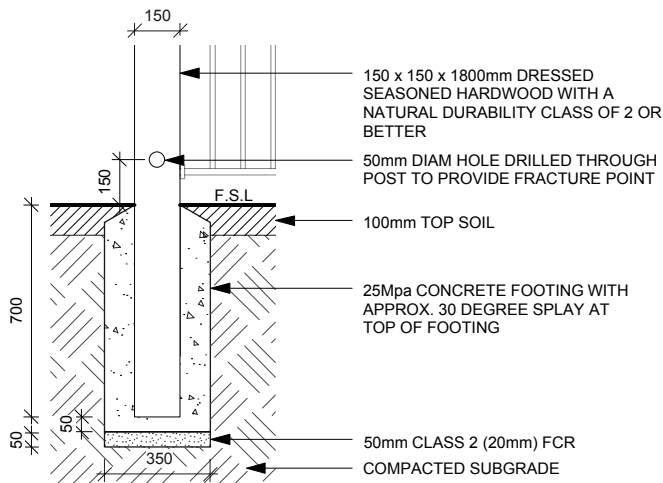
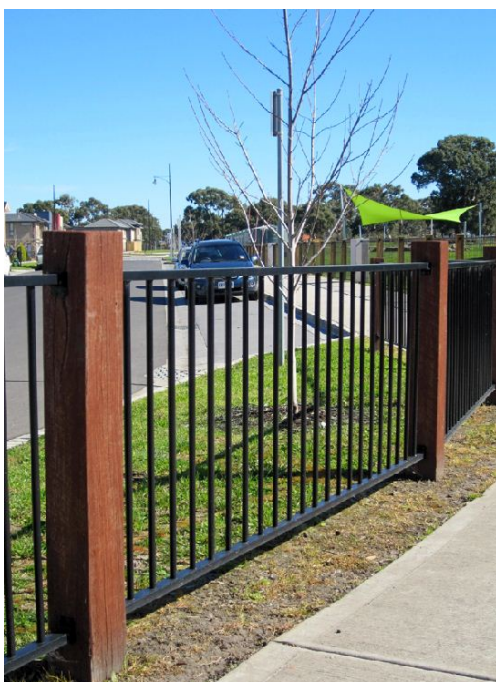


ELEVATION - PREFERRED DIRECTIONAL FENCING DETAIL



SECTION - CONCRETE FOOTING DETAIL



NOTES:

As a minimum standard, preferred directional fencing within the road reserve shall:

1. Have a minimum height of 1.1 metres above ground level and be black in colour.
2. Comprise "Willow ARC" fence panels 900mm in height and 2.4 metres in length. The panel shall be powder coated black, installed 100mm above the finished ground surface and connected to the timber uprights via galvanised TEK screws.
3. Comprise 150mm X 150mm X 1.8 metre dressed seasoned hardwood posts (1.1 metre above and 700mm below the finished ground surface) with a Natural Durability Class 2 or better to ensure a 25+ year service life. All timber shall be straight, clean and free of defects (splits, loose knots, cavities and splinters). Council will not accept the use of treated softwood for this application.
4. Post shall be installed at nominally 2.55 metre centres and end posts shall include rebated, high visibility reflector disks or reflective tape. All upright posts shall include a 50mm diameter drill hole installed 150mm above the finished ground surface to provide a fracture point.
5. Comprise concrete footings nominally 350mm wide X 350mm long X 750mm deep installed on a bed of 50mm Class 2 (20mm) crushed rock. Concrete shall be 25MPa minimum. The top of the concrete footing must include a splay (30 degrees minimum) running away from the upright.

STANDARD DETAIL

PARKS & OPEN SPACE LANDSCAPE CONSTRUCTION DETAILS

Date: 3 November 2014
Revision: A